



BENEFITS

(Head-band Mask)

95%

Protection* against virus, pollen & dust



Advanced[^] 5-layer Mask with melt-blown electrostatically charged filters



BIS Certified FFP2 S mask, based on European Standards



Tested for Breathing, Comfort and Skin-compatibility



*particle aerosols ≥ 0.3 micron

[^]Advanced in comparison to ordinary masks



ADVANCED[^] 5-LAYER FILTRATION FOR THE PROTECTION YOU NEED

Head-Band Mask



Splash resistant
outer layer

Padded layer
for Comfort

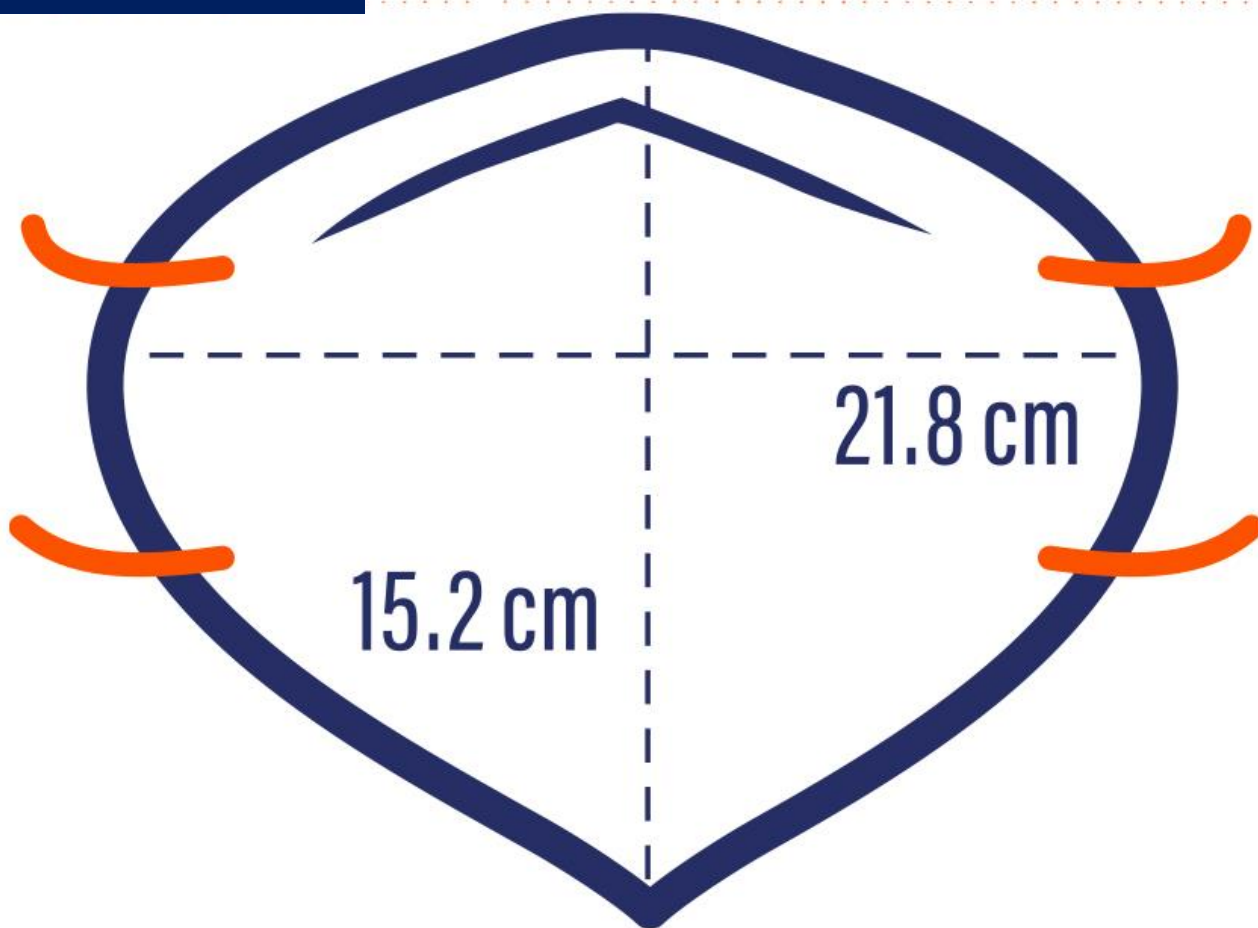
Sweat &
moisture resistant
inner layer

Electrostatically Charged Melt-Blown Filters: a complex mesh of fibers with enhanced ability to trap particle aerosols

[^]Advanced in comparison to ordinary masks



(Head-band Mask)



With Adjustable Head-Band Straps



BENEFITS

(Ear-loop Mask)

95%

Protection* against virus, pollen & dust



Advanced^ 5-layer Mask with melt-blown electrostatically charged filters



BIS Certified FFP2 S mask, considered comparable to N95 mask



Tested for Breathing, Comfort and Skin-compatibility



*particle aerosols ≥ 0.3 micron

^Advanced in comparison to ordinary masks



ADVANCED[^] 5-LAYER FILTRATION FOR THE PROTECTION YOU NEED

(Ear-loop Mask)



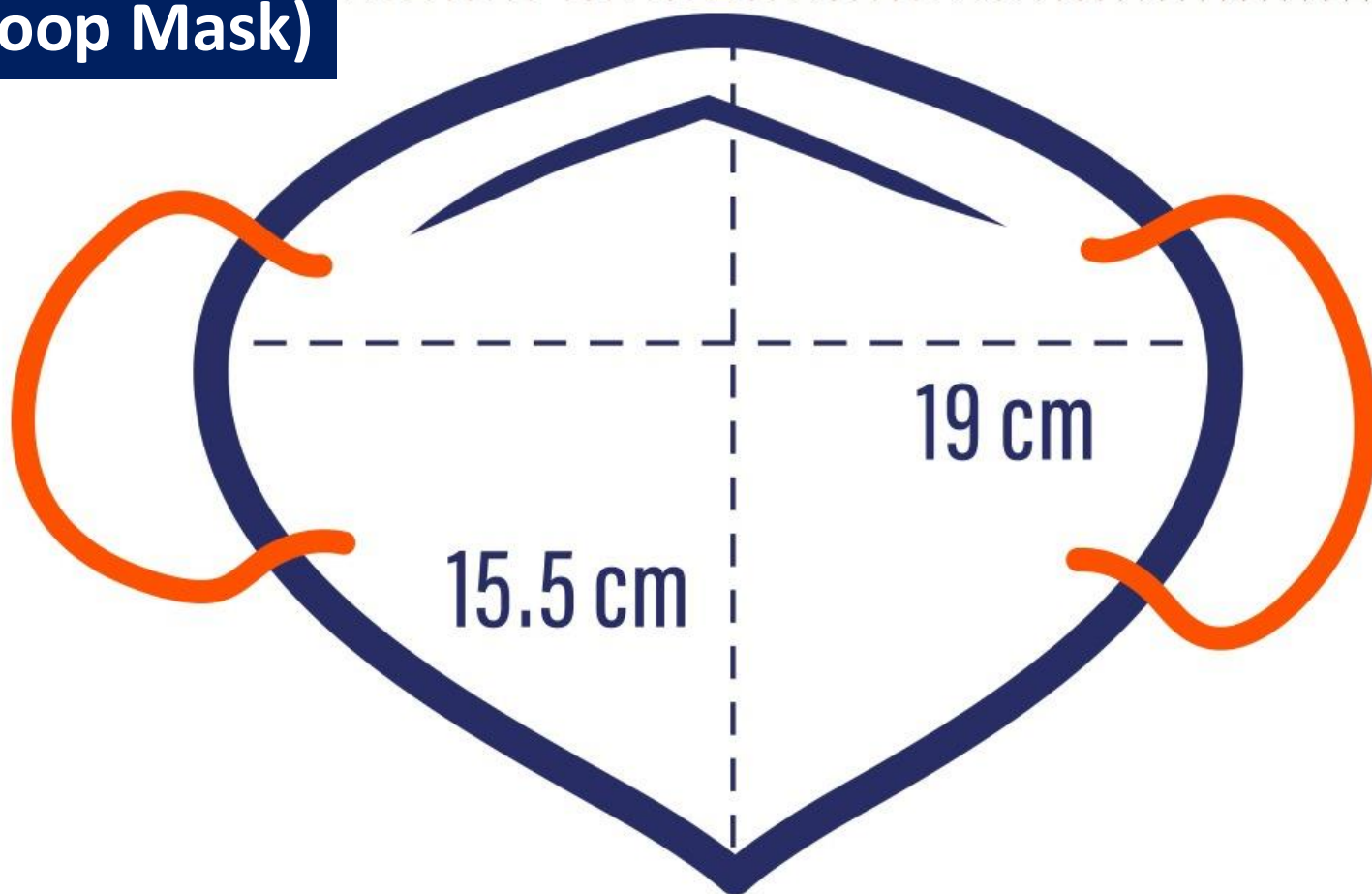
Splash resistant
outer layer

Sweat &
moisture resistant
inner layer

Electrostatically Charged Melt-Blown Filters: a complex mesh of fibers with enhanced ability to trap particle aerosols

[^]Advanced in comparison to ordinary masks

(Ear-loop Mask)



- Comes with a Head-Band Converter Strip
- Recommended for Prolonged Usage



FILTERS PARTICLE AEROSOLS ≥ 0.3 MICRON

Ensures protection from infectious and hazardous aerosols present in atmosphere
upto 0.3 micron, which is 8 times smaller than 2.5 micron



Fine Beach Sand
~90 micron



Human Hair
~50-100 micron



Pollen
~6-100 micron



Mold Spores
~7-100 micron



Dust Particles
~1-100 micron



Germs
(including viruses & bacteria)
~0.005-80 micron